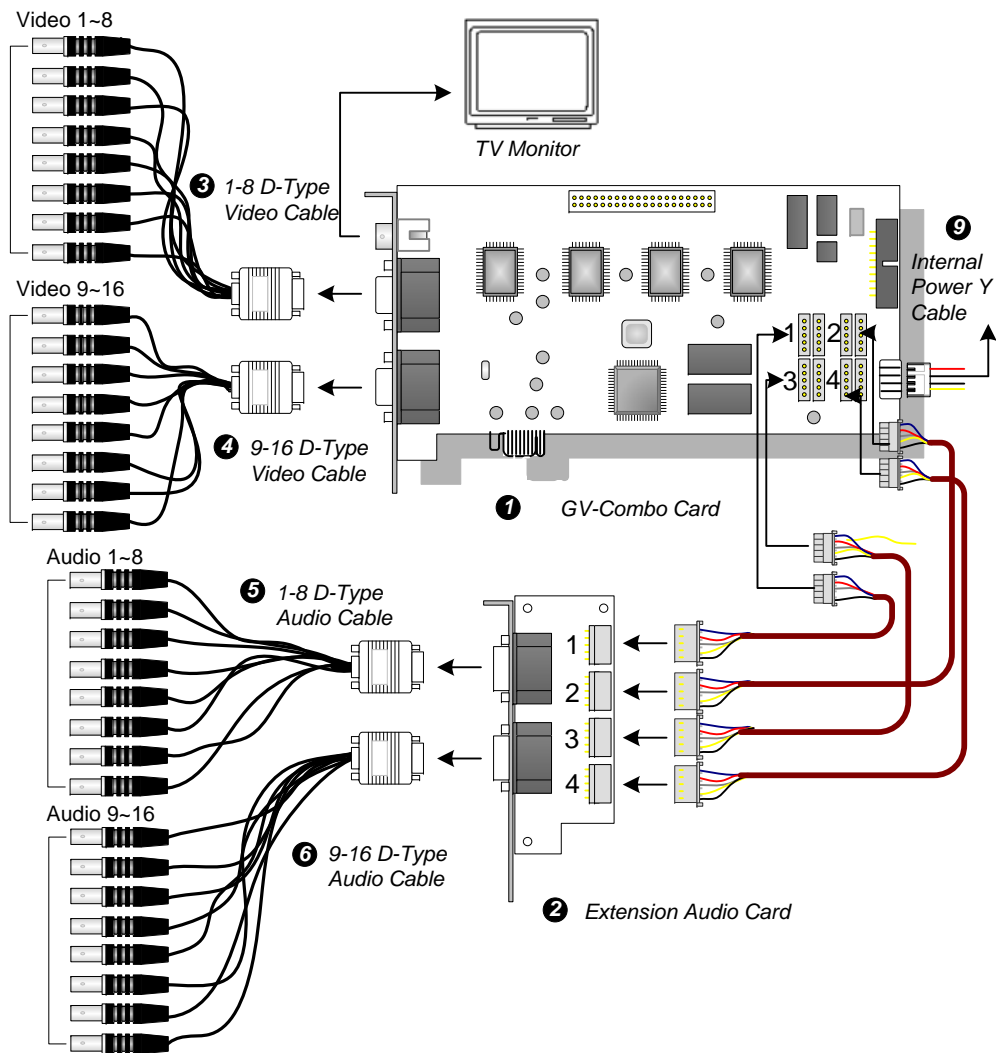


GV-Combo Card (PCI-E)

GV-Combo Card (PCI-E) provides a "single card solution" for video/audio recording and real-time display.

Packing List

- ❶ GV-Combo Card x 1
- ❷ Audio Extension Card x 1
- ❸ 1-8 D-Type Video Cable x 1
- ❹ 9-16 D-Type Video Cable x 1
- ❺ 1-8 D-Type Audio Cable x 1
- ❻ 9-16 D-Type Audio Cable x 1
- ❼ Internal Power Y Cable x 1
- ❽ User's Manual x 1
- ❾ 1-8 D-Type Video Cable x 1
- ❿ Hardware Watchdog Jumper Wire x 1
- ⓫ 9-16 D-Type Video Cable x 1
- ⓬ Software CD x 1



Specifications

Input Type	DB15 x 2 (for Video), DB9 x 2 (for Audio)	
Video Input / Audio Input	GV-1480	16 Channels
	GV-1240	8, 16 Channels
	GV-1120	8, 12, 16 Channels
TV Output	RCA connector x 1	
Recording Rate	GV-1480	480 fps (NTSC), 400 fps (PAL)
	GV-1240	240 fps (NTSC), 200 fps (PAL)
	GV-1120	120 fps (NTSC), 100 fps (PAL)
Display Rate	480 fps (NTSC), 400 fps (PAL)	
Video Resolution	NTSC	720x480, 720x480 De-interlace, 640x480, 640x480 De-interlace, 320x240
	PAL	720x576, 720x576 De-interlace, 640x480, 640x480 De-interlace, 320x240
Compression Format	Geo MPEG4, Geo MPEG4 (ASP), Geo H264	
GV-NET/IO Card Support	Yes	
GV-Hybrid DVR Card Support	Yes	
Dimensions	212 mm x 99 mm	

System Requirements

OS Supported	Windows 2000 / Windows XP / Windows Server 2003 / Windows Vista	
CPU	GV-1480	Pentium 4-2.8C GHz, 800 MHz FSB (minimum)
	GV-1240	Pentium 4-2.6C GHz, 800 MHz FSB (minimum)
	GV-1120	Pentium 4-2.4C GHz, 800 MHz FSB (minimum)
RAM	2 x 256 MB dual DDR400 SDRAM (minimum)	
HDD	GV-1480	250 GB or above
	GV-1240	120 GB or above
	GV-1120	80 GB or above
VGA	ATI Radeon 9550 or above (recommended)	
DirectX	9.0 or above	

- Note:**
1. For recording resolution of 640 x 480 or above, Pentium 4 processor with Hyper Threading is required.
 2. Currently the card is not compatible with VIA-series and ATI-series chipset motherboards.
 3. The recording rate is set to 320 x 240 resolution.
 4. The GV-Combo Card has PCI Express x1 interface, and it can be inserted into the PCI Express x1, x4, x8 or x16 slot.
 5. This card only works when it connects to PC power supply.