

DH-HAC-ME1800B-L

4K Real-time HDCVI Active Deterrence Fixed IR Bullet Camera



- Max. 4K resolution, real-time video transmission
- Active deterrence with warm light
- Built-in PIR, 10 m/110° detecting range/angle
- 2.8 mm fixed lens
- Max. IR length 20 m, Smart IR
- IP67, 12V±30% DC



System Overview

This PIR model is an indoor/outdoor dual detection camera which uses both video and infrared sensor to achieve accurate motion detection functionality. It also supports active deterrence feature which warns off intruders with white light even before users are aware of the incident. This camera is an ideal choice for applications which require intrusion protect and video verification, such as courtyards, offices, warehouses, stores.

Functions

4 Signals over 1 Coaxial Cable

HDCVI technology supports 4 signals to be transmitted over 1 coaxial cable simultaneously, such as video, audio*, data and power. Dual-way data transmission allows the HDCVI camera to interact with the HCVR, such as sending control signal or triggering alarm. Moreover, HDCVI technology supports PoC for construction flexibility.

* Audio input is available for some models of HDCVI cameras.

Long Distance Transmission

HDCVI technology guarantees real-time transmission at long distance without any loss. It supports up to 700 m transmission for 4K and 4MP HD video over coaxial cable, and up to 300 m over UTP cable. *

*Actual results verified by real-scene testing in Dahua's test laboratory.

Simplicity

HDCVI technology inherits the born feature of simplicity from traditional analog surveillance system, making itself a best choice for investment protection. HDCVI system can seamlessly upgrade the traditional analog system without replacing existing coaxial cabling. The plug and play approach enables full HD video surveillance without the hassle of configuring a network.

Active Deterrence

Active deterrence is to warn off intruders actively with white light even before users are aware of the incidence. Once an intrusion is detected, the white light will turn on to alert the intruder. The white light can be set to normally on or flash.

4K Real-time Image Display

Used together with 4K real-time XVR, the camera can output 4K real-time video stream with clear details and no lag or smear.

Smart IR

The camera is designed with microcrystalline LED IR illumination for best lowlight performance. Smart IR is a technology to ensure brightness uniformity in B/W image under low illumination. Dahua's unique Smart IR adjusts to the intensity of camera's infrared LEDs to compensate for the distance of an object, and prevents IR LEDs from overexposing images as the object come closer to the camera.

Protection

The camera's outstanding reliability is unsurpassed due to its rugged design.

The camera is protected against water and dust with IP67, making it suitable for indoor or outdoor environments.

With PIR working temperature range of -10 °C to +50 °C (-14 °F to +122 °F), the MotionEye is designed for extreme temperature environments. Supporting ±30% input voltage tolerance, this camera suits even the most unstable power supply conditions. Its 4KV lightning rating provides protection against the camera and its structure from the effects of lightning.

Technical Specification

Camera

Image Sensor	1/2.7" CMOS
Max. Resolution	3840 (H) × 2160 (V)
Pixel	4K
Scanning System	Progressive
Electronic Shutter Speed	PAL: 1/25 s–1/100000 s NTSC: 1/30 s–1/100000 s
Min. Illumination	0.02 Lux/F2.0, 30 IRE, 0 Lux IR on
S/N Ratio	>65 dB
Illumination Distance	20 m (65.6 ft)
Illumination Type	IR
Illuminator On/Off Control	Auto/Manual
Illuminator Number	1 (IR light)
Pan/Tilt/Rotation Range	Pan: 0°–360° Tilt: 0°–90° Rotation: 0°–360°

Lens

Lens Type	Fixed-focal
Mount Type	M12
Focal Length	2.8 mm
Max. Aperture	2.8 mm: F2.0
Field of View	2.8 mm: D: 125°; H: 105°; V: 56°
Iris Type	Fixed iris
Close Focus Distance	2.8 mm: 1.0 m (3.3 ft)
DORI Distance	2.8 mm: D: 74.7 m (245.1 ft); O: 29.9 m (98.1 ft); R: 14.9 m (48.9 ft); I: 7.5 m (24.6 ft)

Video

Frame Rate	CVI: 4K@25/30 fps; 4K@15 fps; 5M@20 fps; 4M@25 fps/30 fps; AHD: 4K@15 fps; TVI: 4K@15 fps; CVBS: 960H
Resolution	4K (3840 × 2160); 5M (2592 × 1944); 4M (2560 × 1440); 960H (960 × 576/960 × 480)
Day/Night	ICR auto switch
BLC Mode	BLC/HLC/DWDR
WDR	DWDR
White Balance	Auto/Manual
Gain Control	Auto/Manual
Noise Reduction	2D
Smart IR	Yes
Mirror	Off/On

Privacy Masking	Off/On (8 Area, Rectangle)
-----------------	----------------------------

Certifications

Certifications	CE (EN55032:2015, EN61000-3-2:2014, EN61000-3-3:2013, EN55024:2010+A1:2015, EN55035:2017, EN50130-4:2011+A1:2014) FCC (CFR 47 FCC Part 15 subpartB, ANSI C63.4-2014) UL (UL60950-1+CAN/CSA C22.2 No.60950-1) IEC 62368-1:2014 (Second Edition)
----------------	---

Port

Video Output	1 BNC output Support CVI/TVI/AHD/CVBS
--------------	--

Power

Power Supply	12V ±30% DC
Power Consumption	Max 7.2W (12V DC, IR on)

PIR Parameters

Detection Component	Pyroelectric infrared sensor
Detection Range	10 m(32.8 ft), 110°
Recommended Installation Height	2.2 m–3 m (7.2 ft-9.8 ft)
Recommended Environment Temperature for PIR	–10°C to 50°C (14°F to 122°F)

Active Deterrence Parameters

White Light Warning	Solid: 5 s–30 s; flash: 5 s–30 s; frequency: high/medium/low
---------------------	--

Environment

Operating Temperature	–40°C to +60°C (–40°F to 140°F); <95% (non-condensation)
Storage Temperature	–40°C to +60°C (–40°F to 140°F); <95% (non-condensation)
Ingress Protection	IP67

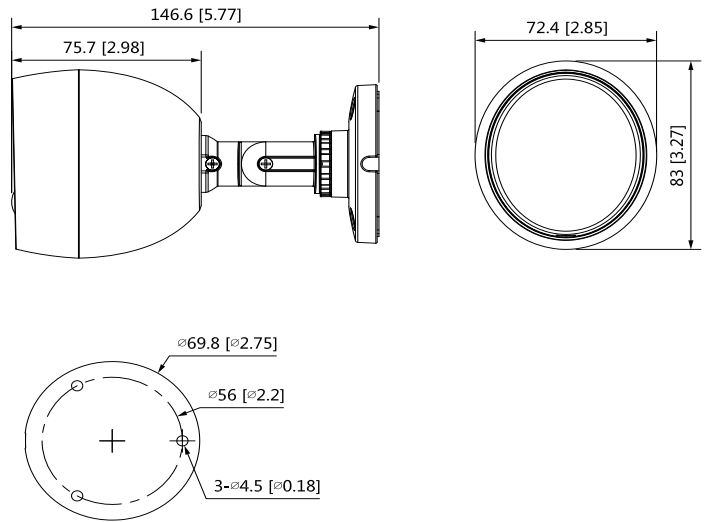
Structure

Casing	Cover: Metal Rear: Plastic
Camera Dimensions	146.6 mm × 72.4 mm × 83.0 mm (5.77" × 2.85" × 3.27")
Net Weight	0.24 kg (0.53 lb)
Gross Weight	0.35 kg (0.76 lb)

Ordering Information

Type	Part Number	Description
4K Camera	DH-HAC-ME1800BP-L	4K Real-time HDCVI Active Deterrence Fixed IR Bullet Camera, PAL
	DH-HAC-ME1800BN-L	4K Real-time HDCVI Active Deterrence Fixed IR Bullet Camera, NTSC
Accessories	PFA134	Junction Box
	PFA130-E	IP66 Junction Box
	PFA152-E	Pole Mount Bracket
	PFM321D	12V 1A Power Adapter
	PFM904	Integrated Mount Tester
	PFM800-4K	1-CH Passive Video Balun

Dimensions (mm[inch])

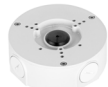


Accessories

Optional:



PFA134
Junction Box



PFA130-E
IP66 Junction Box



PFA152-E
Pole Mount Bracket



PFM321D
12V 1A Power
Adapter



PFM904
Integrated Mount
Tester



PFM800-4K
1-CH Passive Video
Balun

Ceiling Mount	Junction Mount	Pole Mount(Vertical)