

## DS-2SE7C144IW-AE(32x/4)(S5) 4 MP 32× IR Network Speed Dome

### AcuSense



Hikvision DS-2SE7C144IW-AE(32x/4)(S5) 4 MP 32 × IR Network Speed Dome adopts 1/2.8" progressive scan CMOS chip. With the 32 × optical zoom lens, the camera offers more details over expansive areas. This series of cameras can be widely used for wide ranges of high-definition, such as rivers, roads, railways, airports, squares, parks, scenic spots, and venues, etc.

Empowered by deep learning algorithms, Hikvision AcuSense technology brings human and vehicle targets classification alarms to front- and back-end devices. The system focuses on human and vehicle targets, vastly improving alarm efficiency and effectiveness.

- 1/2.8" progressive scan CMOS
- High quality imaging with 4 MP resolution
- Excellent low-light performance with powered-by-DarkFighter technology
- Secures an expansive area with 32× optical zoom and 16× digital zoom
- Supports WDR, HLC, BLC, 3D DNR, defog, regional exposure, regional focus, rapid focus
- Expansive night view with up to 200 m IR distance
- Supports 24 VAC & Hi-PoE
- Supports audio visual alarm. The white flashing light and audible warning can be triggered by certain events, and the warning content is selectable



## ▪ DORI

The DORI (detect, observe, recognize, identify) distance gives the general idea of the camera ability to distinguish persons or objects within its field of view. It is calculated based on the camera sensor specification and the criteria given by EN 62676-4: 2015.

DORI	Detect	Observe	Recognize	Identify
Definition	25 px/m	63 px/m	125 px/m	250 px/m
Distance (Tele)	3060.0 m (10039.4 ft)	1214.3 m (3983.9 ft)	612.0 m (2007.9 ft)	306.0 m (1004.0 ft)

## ▪ Specification

Camera Module	
Image Sensor	[Panoramic channel]: 1/2.8" progressive scan CMOS; [PTZ channel]: 1/2.8" progressive scan CMOS
Min. Illumination	[Panoramic channel]: 0.005 Lux @ (F1.6, AGC ON), 0 Lux with IR; [PTZ channel]: Color: 0.005 Lux @ (F1.5, AGC ON), B/W: 0.001 Lux @ (F1.5, AGC ON), 0 Lux with IR
Shutter Speed	1 s to 1/30,000 s
Slow Shutter	yes
Focus	semi-auto, manual, auto
Day & Night	ICR
Day/Night Switch	day, night, auto, scheduled-switch
BLC	yes
WDR	120 dB WDR
HLC	yes
3D DNR	yes
Defog	yes
EIS	yes
Regional Exposure	yes
Regional Focus	yes
Image Settings	saturation, brightness, contrast, sharpness
Image Parameters Switch	[Panoramic channel]: yes; [PTZ channel]: yes
White Balance	auto, ATW, sodium lamp, fluorescent lamp, indoor, outdoor, MWB, locked WB
Digital Zoom	16x
Optical Zoom	32x
Privacy Mask	polygon region, mosaic mask, mask color configurable, [Panoramic channel] 8 masks, [PTZ channel] 24 masks
SNR	>52dB
General Function	mirror, password protection, watermark, IP address filter
Lens	
Focal Length	[Panoramic channel]: 4 mm; [PTZ channel]: 5.9 to 188.8 mm, 32 × optical
Zoom Speed	[PTZ channel]: approx. 5.6 s
FOV	[Panoramic channel]: Horizontal field of view: 79°, Vertical field of view: 42.4°; [PTZ channel]: Horizontal field of view: 60.2° to 2.3° (wide-tele)
Aperture	[Panoramic channel]: F1.6; [PTZ channel]: F1.5

<b>PTZ</b>	
Movement Range (Pan)	360°
Movement Range (Tilt)	-15° to 90° (auto flip)
Pan Speed	pan speed: configurable from 0.1° to 160°/s; preset speed: 240°/s
Tilt Speed	tilt speed: configurable from 0.1° to 120°/s, preset speed 200°/s
Proportional Zoom	yes
Presets	300
Patrol Scan	8 patrols, up to 32 presets for each patrol
Pattern Scan	4 pattern scans
Power-off Memory	yes
Park Action	preset, pattern scan, patrol scan, auto scan, tilt scan, random scan, frame scan, panorama scan
3D Positioning	yes
PTZ Status Display	yes
Preset Freezing	yes
Scheduled Task	preset, pattern scan, patrol scan, auto scan, tilt scan, random scan, frame scan, panorama scan, dome reboot, dome adjust, aux output
Exception Detection	IP address conflict, HDD full, illegal login, HDD error, network disconnected
<b>Video</b>	
Max. Resolution	[Panoramic channel]: 2560 × 1440; [PTZ channel]: 2560 × 1440
Stream Type	main stream, sub-stream, third stream
Main Stream	[Panoramic channel]: 50 Hz: 25 fps (2560 × 1440, 1920 × 1080, 1280 × 960, 1280 × 720) 60 Hz: 30 fps (2560 × 1440, 1920 × 1080, 1280 × 960, 1280 × 720) [PTZ channel]: 50 Hz: 25 fps (2560 × 1440, 1920 × 1080, 1280 × 960, 1280 × 720) 60 Hz: 30 fps (2560 × 1440, 1920 × 1080, 1280 × 960, 1280 × 720)
Sub-Stream	[Panoramic channel]: 50 Hz: 25 fps (704 × 576, 640 × 480, 352 × 288) 60 Hz: 30 fps (704 × 480, 640 × 480, 352 × 240) [PTZ channel]: 50 Hz: 25 fps (704 × 576, 640 × 480, 352 × 288) 60 Hz: 30 fps (704 × 480, 640 × 480, 352 × 240)
Third Stream	[Panoramic channel]: 50 Hz: 25 fps (1920 × 1080, 1280 × 960, 1280 × 720, 704 × 576, 640 × 480, 352 × 288) 60 Hz: 30 fps (1920 × 1080, 1280 × 960, 1280 × 720, 704 × 480, 640 × 480, 352 × 240) [PTZ channel]: 50 Hz: 25 fps (1920 × 1080, 1280 × 960, 1280 × 720, 704 × 576, 640 × 480, 352 × 288) 60 Hz: 30 fps (1920 × 1080, 1280 × 960, 1280 × 720, 704 × 480, 640 × 480, 352 × 240)
Video Compression	H.265, H.264, MJPEG
Video Bit Rate	32 kbps to 16384 kbps
H.264 Type	baseline profile, main profile, high profile
H.265 Type	main profile
H.264+	yes
H.265+	yes

SVC	yes
ROI	dynamic target tracking, main stream, sub-stream and third stream respectively support eight fixed areas
<b>Audio</b>	
Audio Compression	G.711alaw, G.711ulaw, G.722.1, G.726, MP2L2, PCM, AAC
Audio Bit rate	MP2L2: 32 kbps, 40 kbps, 48 kbps, 56 kbps, 64 kbps, 80 kbps, 96 kbps, 112 kbps, 128 kbps, 144 kbps, 160 kbps, 192 kbps
Audio Sampling Rate	MP2L2: 16 kHz, 32 kHz, 48 kHz, PCM: 8 kHz, 16 kHz, 32 kHz, 48 kHz
Environment Noise Filtering	yes
<b>Smart Features</b>	
Face Capture	Support detecting up to 5 faces at the same time. Support detecting, tracking, capturing, grading, selecting of face in motion, and output the best face picture of the face
Basic Event	motion detection, alarm input, alarm output, video tampering alarm, exception
Smart Event	intrusion detection, line crossing detection, region entrance detection, region exiting detection, audio exception detection
Smart Tracking	manual tracking, panorama tracking, event tracking, auto-tracking, tracking takeover
Smart Record	ANR, Dual-VCA
Alarm Linkage	preset, patrol scan, pattern scan, memory card video recording, alarm output, sending email, notify surveillance center, upload to FTP, smart tracking, audible warning, white light flashing
Warning and Alert	white light and audible warning
Perimeter Protection	Line crossing, intrusion, region entrance, region exiting Support alarm triggering by specified target types (human and vehicle)
<b>Network</b>	
Network Storage	NAS (NFS, SMB/ CIFS), ANR
Protocols	IPv4/IPv6, HTTP, HTTPS, 802.1x, QoS, FTP, SMTP, UPnP, SNMP, DNS, DDNS, NTP, RTSP, RTCP, RTP, TCP/IP, UDP, IGMP, ICMP, DHCP, PPPoE, Bonjour, Websocket, Websockets
API	Open-ended API, Open Network Video Interface (Profile S, Profile G), ISAPI, Hikvision SDK, Third-party management platform, ISUP
Simultaneous Live View	20
User/Host	32
Security Measures	Authenticated username and password, MAC address binding, HTTPS encryption, 802.1X authenticated access, IP address filter
Client	iVMS-4200, Hik-Connect, HikCentral
Web Browser	IE 10+, Chrome 57+, Firefox 52+, Safari 12+
<b>Interface</b>	
Communication Interface	RJ45, self-adaptive 10M/100M Ethernet port
On-board Storage	Built-in memory card slot, support Micro SD/Micro SDHC/Micro SDXC, up to 256 GB
Alarm Input	2 alarm inputs
Alarm Output	1 alarm output
Audio Input	1 audio input, 2.0 to 2.4Vp-p, 1k Ohm±10%
Audio Output	1 audio output, line level, impedance: 600 Ω
<b>Supplement Light</b>	
IR Distance	[PTZ channel]: up to 200 m; [Panoramic channel]: up to 30 m
Visual Alarm	30 m

General	
Power	24 VAC, Hi-PoE
Power Consumption and Current	Max. 42 W, including max. 2.6 W for heater and max. 11 W for supplement light
Operating Conditions	-30°C to 65°C (-22°F to 149°F), humidity lower than 90%RH
Reset	yes
Demist	Demist by heating the glass
Material	ADC12
Dimensions	Ø220 mm × 382.1 mm (Ø 8.7" × 15.0")
Weight	Approx. 6 kg (13.23 lb.)
Approval	
Protection	IP66 Standard, IK10 (excluding glass window), 6000 V Lightning Protection, Surge Protection and Voltage Transient Protection

### ▪ Available Model

DS-2SE7C144IW-AE(32X/4) (S5)

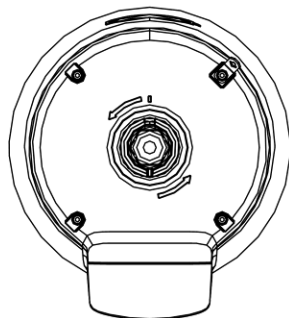
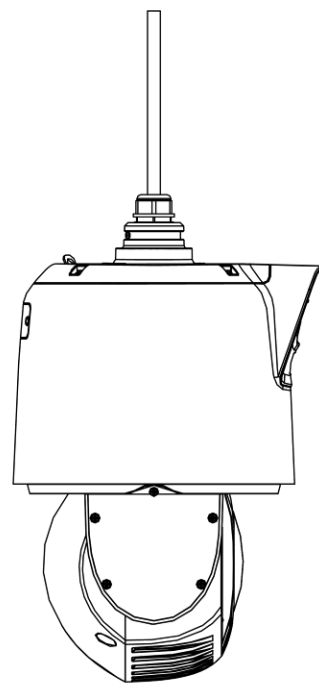
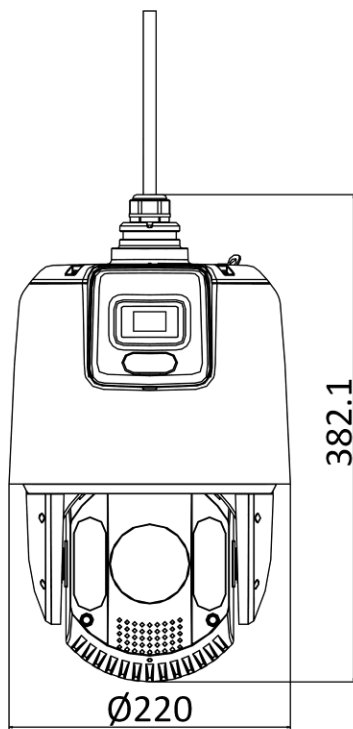
### ▪ Typical Application

Hikvision products are classified into three levels according to their anti-corrosion performance. Refer to the following description to choose for your using environment.

This model has NO SPECIFIC PROTECTION.

Level	Description
Top-level protection	Hikvision products at this level are equipped for use in areas where professional anti-corrosion protection is a must. Typical application scenarios include coastlines, docks, chemical plants, and more.
Moderate protection	Hikvision products at this level are equipped for use in areas with moderate anti-corrosion demands. Typical application scenarios include coastal areas about 2 kilometers (1.24 miles) away from coastlines, as well as areas affected by acid rain.
No specific protection	Hikvision products at this level are equipped for use in areas where no specific anti-corrosion protection is needed.







▪ Dimension



Unit: mm

▪ **Accessory**

▪ **Optional**

<b>DS-1602ZJ</b> <b>Wall mount</b>	<b>DS-1661ZJ</b> <b>Pendant Mount</b>	<b>DS-1602ZJ-Pole</b> <b>Vertical pole mount</b>	<b>DS-1602ZJ-Corner</b> <b>Corner mount</b>	<b>DS-1681ZJ-2</b> <b>Installation Adapter</b>
				
<b>DS-2681ZJ</b> <b>Cardan Joint</b>				
 <p>Distributed by</p>				

## HIKVISION®

**Headquarters**

No.555 Qianmo Road, Binjiang District,  
 Hangzhou 310051, China  
 T +86-571-8807-5998  
 overseasbusiness@hikvision.com

**Hikvision USA**  
 T +1-909-895-0400  
 sales.usa@hikvision.com

**Hikvision Australia**  
 T +61-2-8599-4233  
 salesau@hikvision.com

**Hikvision India**  
 T +91-22-28469900  
 sales@pramahikvision.com

**Hikvision Canada**  
 T +1-866-200-6690  
 sales.canada@hikvision.com

**Hikvision Thailand**  
 T +662-275-9949  
 sales.thailand@hikvision.com

**Hikvision Europe**  
 T +31-23-5542770  
 sales.eu@hikvision.com

**Hikvision Italy**  
 T +39-0438-6902  
 info.it@hikvision.com

**Hikvision Brazil**  
 T +55 11 3318-0050  
 Latam.support@hikvision.com

**Hikvision Turkey**  
 T +90 (216)521 7070- 7074  
 sales.tr@hikvision.com

**Hikvision Malaysia**  
 T +601-7652-2413  
 sales.my@hikvision.com

**Hikvision UK & Ireland**  
 T +01628-902140  
 sales.uk@hikvision.com

**Hikvision South Africa**  
 Tel: +27 (10) 0351172  
 sale.africa@hikvision.com

**Hikvision France**  
 T +33(0)1-85-330-450  
 info.fr@hikvision.com

**Hikvision Kazakhstan**  
 T +7-727-9730667  
 nikia.panfilov@hikvision.ru

**Hikvision Vietnam**  
 T +84-974270888  
 sales.vt@hikvision.com

**Hikvision UAE**  
 T +971-4-4432090  
 salesme@hikvision.com

**Hikvision Singapore**  
 T +65-6684-4718  
 sg@hikvision.com

**Hikvision Spain**  
 T +34-91-737-16-55  
 info.es@hikvision.com

**Hikvision Tashkent**  
 T +99-87-1238-9438  
 uzb@hikvision.ru

**Hikvision Hong Kong**  
 T +852-2151-1761  
 info.hk@hikvision.com

**Hikvision Russia**  
 T +7-495-669-67-99  
 saleru@hikvision.com

**Hikvision Korea**  
 T +82-(0)31-731-8817  
 sales.korea@hikvision.com

**Hikvision Poland**  
 T +48-22-460-01-50  
 info.pl@hikvision.com

**Hikvision Indonesia**  
 T +62-21-2933759  
 Sales.Indonesia@hikvision.com

**Hikvision Colombia**  
 sales.colombia@hikvision.com